



10cd Low-intensity Obstruction Light

12V_{DC} ICAO Type A - replacement unit

CEL-10-12-E27

Key features

- Based on LED-technology
- Extremely reliable - long lifetime
- Very low power consumption
- 12VDC nominal supply voltage
- Stabilised light output
- Easy to install
- No RF-radiations
- Safe and easy to use

Benefits

- Long maintenance intervals
- Low energy cost
- Supply power voltage variations do not affect light output
- Very low total lifetime costs
- Comes with five (5) years warranty

Specifications met

- ICAO International Standards and Recommended Practices:
Aerodromes - Annex 14 Volume 1, 5th Edition, July 2009,
Chapter 6: Low-intensity, Type A Fixed Obstacle Light

Optical characteristics

- Intensity better than 10cd
- Colour aviation red
- Horizontal radiation pattern 360°
- Vertical radiation pattern 50°
- LED supply current stabilised by constant current generator
- Light output degradation less than 30% after 100,000hrs of operation

Electrical characteristics

- LEDs in several separate groups
- Nominal operating voltage 12V_{DC}
- Power consumption less than 2,5W
- Operating voltage range 12 to 18V_{DC}
- Two-stage over-voltage protection

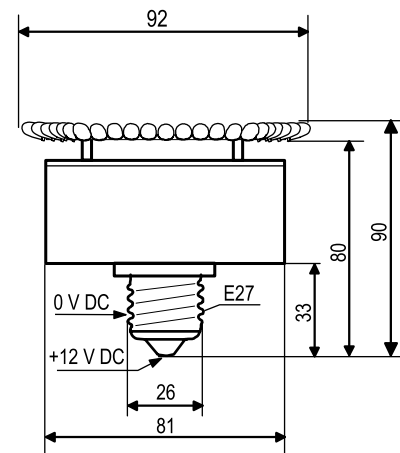
Installing instructions

- The E27 base polarity connection,
+12 V_{DC} E27 center pole
0 V_{DC} E27 base

Mechanical characteristics

- Yellow ABS+ PC body
- Degree of protection IP 30
- Operating temperature range -55°C ... +55°C
- Height 100mm, diameter 92mm, weight 0,1kg

Order Code: CEL-10-12-E27



CEL-10-12-E27



T: +44 (0)20 8540 1034
F: +44 (0)20 8543 3058
E: info@contarnex.com

Contarnex Europe Limited
252 Martin Way,
Morden, Surrey SM4 4AW
United Kingdom

