

ICAO Low-intensity Type A Obstruction Light (10cd) with infrared ICAO Low-intensity Type B Obstruction Light (32cd) with infrared Low-Intensity Infrared - LED Aircraft Warning Light

Key features

- Night Vision Goggles compatible
- Based on LED-technology
- Extremely reliable with long lifetime
- Suitable for off-shore use
- Very low power consumption
- Wide input voltage range
- Lightweight and small - low wind load factor
- Easy to install, several mounting sets available
- Two cable glands, easy to chain without external terminal boxes
- No RF-radiations
- Five (5) years warranty

Specifications

- ICAO International Standards and Recommended Practices: Aerodromes, Annex 14 Volume 1, 5th Edition, July 2009, Chapter 6: Low-intensity, Type A/B Fixed Obstacle Light
- FAA Advisory Circular 150/5345-43F 09/12/06 L-810 Light Unit
- Finland: TraFi Regulations for NVG-Compliant Obstacle Light

Optical characteristics

- Intensity better than 10cd (LI-10+IR Models)
- Intensity better than 32cd (LI-32+IR Models)
- Colour aviation red
- Infrared wavelength 850nm
- Horizontal radiation pattern 360°
- Vertical radiation pattern 15°
- LED supply current stabilised by constant current generator
- Light output degradation less than 30% after 100,000hrs of operation

Electrical characteristics

- On -ACW- models, wide AC voltage range: Nominal 100V_{AC} ... 240V_{AC} (Range: 90V_{AC} ... 270V_{AC})
Nominal 50 ... 60Hz (Range: 47 ... 63Hz)
- On -DCW- models, wide DC voltage range: Nominal 10 V_{DC} ... 60V_{DC}
- Overvoltage protection

Mechanical characteristics

- Anodised, marine grade aluminium body and end parts
- AISI 316 acid-proof stainless steel screws
- Colourless (clear) glass cover
- Terminal block for 1.5 ... 4 mm² wires
- Degree of protection IP 65
- Operating temperature range -55°C to +55°C
- Height 255 mm, diameter 104 mm, weight 1.3 kg
- Wind load with MS-EV60 mounting kit @ 200km/h less than 40N



CEL LI+IR Series LED obstacle light (illustration)

ICAO Low-Intensity Type A (10cd) with infrared:

Order code	Operating voltage (AC)	Power consumption	Built-in Photo-cell/ Flasher
10cd models			
CEL-LI-10+IR-ACW-F	100 ... 240 V	7 VA (4 W)	No
CEL-LI-10+IR-ACW-PCFL	100 ... 240 V	7 VA (4 W)	Yes

Order code	Operating voltage (DC)	Power consumption	Built-in Photo-cell/ Flasher
CEL-LI-10+IR-DCW-F	10 ... 60 V	4 W	No
CEL-LI-10+IR-DCW-PCFL	10 ... 60 V	4 W	Yes

ICAO Low-Intensity Type B and FAA L-810 (32cd) with infrared:

Order code	Operating voltage (AC)	Power consumption	Built-in Photo-cell/ Flasher
32cd models			
CEL-LI-32+IR-ACW-F	100 ... 240 V	9 VA (6 W)	No
CEL-LI-32+IR-ACW-PCFL	100 ... 240 V	9 VA (6 W)	Yes

Order code	Operating voltage (DC)	Power consumption	Built-in Photo-cell/ Flasher
CEL-LI-32+IR-DCW-F	10 ... 60 V	7 W	No
CEL-LI-32+IR-DCW-PCFL	10 ... 60 V	7 W	Yes

On PCFL models (built-in photocell and flasher installed), photocell mode (enabled/disabled) and threshold (400 lux/800 lux/1600 lux) can be selected by the user using DIP configuration switches.

T: +44 (0)20 8540 1034
F: +44 (0)20 8543 3058
E: info@contarnex.com

Contarnex Europe Limited
252 Martin Way,
Morden, Surrey SM4 4AW
United Kingdom

Made in EU



ICAO Low-intensity Type A Obstruction Light (10cd) with infrared

ICAO Low-intensity Type B Obstruction Light (32cd) with infrared

Low-Intensity Infrared - LED Aircraft Warning Light

ELECTRICAL INSTALLATION INSTRUCTIONS

CEL LI+IR Series products are aviation obstacle lights utilizing LED technology. Cabling and installation principles are similar to those of conventional obstacle lights.

CEL LI+IR Series have two cable glands for easy chaining without external distribution boxes. Connection can be protected with a 6A or 10A fuse or with a circuit breaker (C curve: C6A or C10A).

Installation specifications

- Cable gland: M25
- Cable diameter: 11 to 17 mm
- Wire diameter: max. 6 mm²
- Recommended cable: 3x1.5 mm² or 3x2.5 mm²

Options

- CGS-20: Smaller cable glands
Set includes 2 pcs M20 cable glands with M25-M20 adapters for 7-13 mm cables

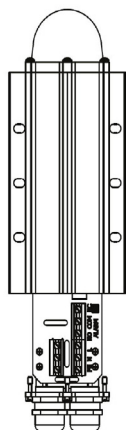
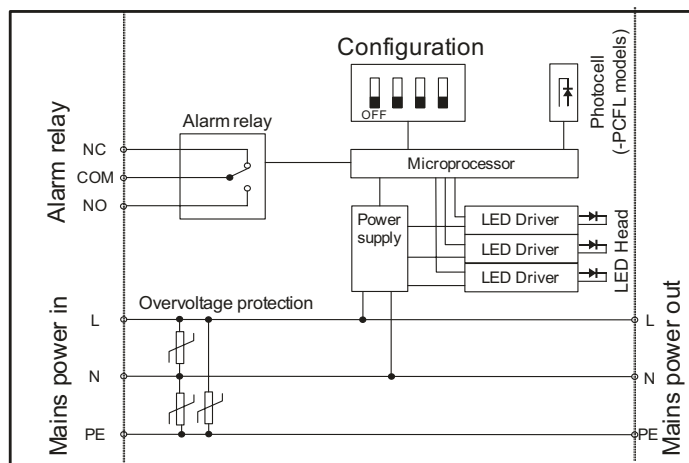


Illustration: CEL LI+IR Series



CEL-LI+IR Series



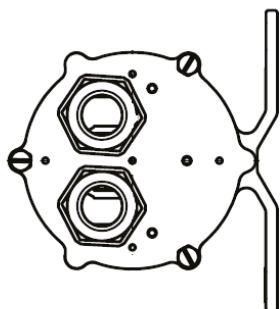
CEL LI-32+IR-ACW block diagram

ICAO Low-intensity Type A Obstruction Light (10cd) with infrared

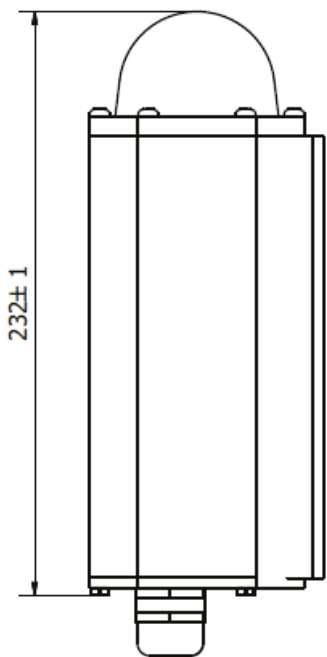
ICAO Low-intensity Type B Obstruction Light (32cd) with infrared

Low-Intensity Infrared - LED Aircraft Warning Light

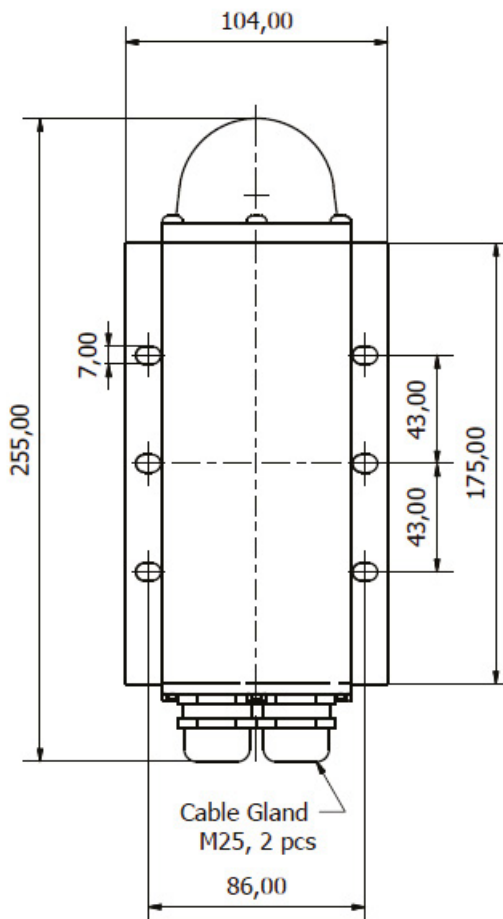
Mechanical dimensions



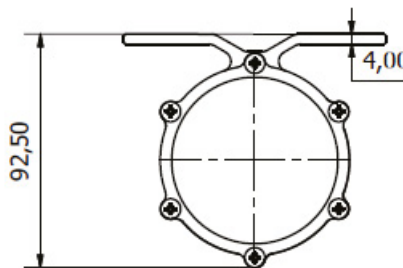
Bottom view



Sideview



Front view



Top view

ICAO Low-intensity Type A Obstruction Light (10cd) with infrared

ICAO Low-intensity Type B Obstruction Light (32cd) with infrared

Low-Intensity Infrared - LED Aircraft Warning Light

CEL MS-HV80

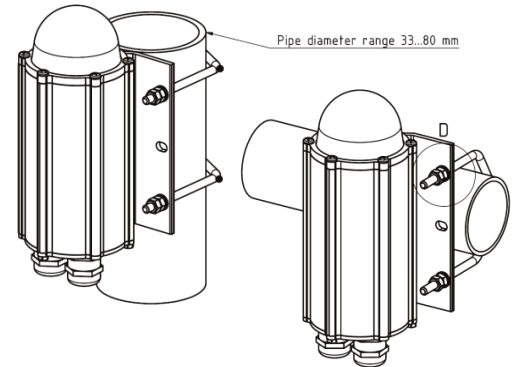
Mounting set for 33-80 mm vertical or horizontal pipe.

This mounting set includes:

- 2 pcs M6 U-bolt
- 8 pcs M6 hex nut
- 4 pcs 6/12 mm washer

All parts are AISI316 acid-proof stainless steel.

More detailed mechanical data: see MS-HV80 datasheet



Order Code MS-HV80

CEL MS-EV60

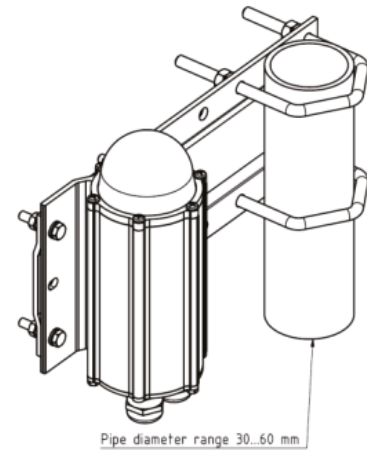
Mounting set with extension plate for 30-60 mm vertical pipe installation.

This mounting set includes:

- 2 pcs M8 U-bolt, 8 pcs M8 hex nut
- 4 pcs M6x30 bolt, 8 pcs M6 hex nut, 4 pcs 6/12 washer
- 1 pcs extension plate

Extension plate marine grade anodised aluminium, other parts AISI316 acid-proof stainless steel.

More detailed mechanical data: see MS-EV60 datasheet



Order Code: MS-EV60

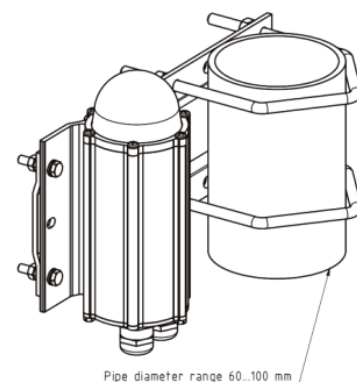
CEL MS-EV100

Mounting set with extension plate for 60-100 mm vertical pipe installation. This mounting set includes:

- 2 pcs M8 U-bolt, 8 pcs M8 hex nut
- 4 pcs M6x30 bolt, 8 pcs M6 hex nut, 4 pcs 6/12 washer
- 1 pcs extension plate

Extension plate marine grade anodised aluminium, other parts AISI316 acid-proof stainless steel.

More detailed mechanical data: see MS-EV100 datasheet



Order Code: MS-EV100

ICAO Low-intensity Type A Obstruction Light (10cd) with infrared

ICAO Low-intensity Type B Obstruction Light (32cd) with infrared

Low-Intensity Infrared - LED Aircraft Warning Light

CEL MS-EV150:

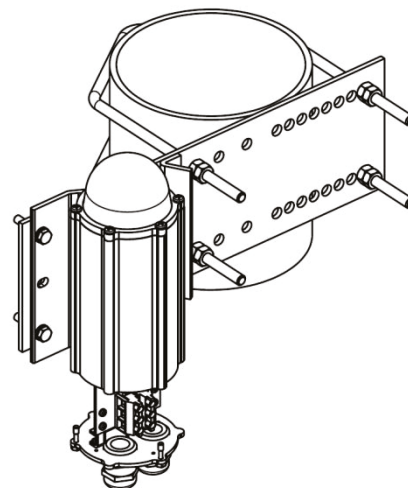
Mounting set with extension plate for 100-150 mm vertical pipe installation.

Mounting set include:

- 2 pcs M8 U-bolt, 8 pcs M8 hex nut
- 4 pcs M6x30 bolt, 8 pcs M6 hex nut, 4 pcs 6/12 washer
- 1 pcs extension plate

Extension plate hot dipped galvanised steel, other parts AISI316 acid-proof stainless steel.

More detailed mechanical data: see MS-EV150 datasheet.



Order Code: MS-EV150

CEL MS-DEV60:

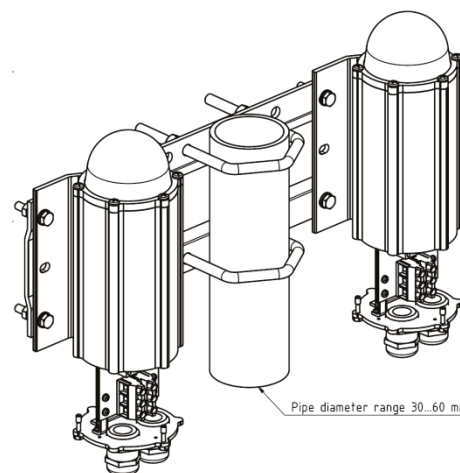
Double mounting set with extension plate for 30-60 mm vertical pipe installation.

Mounting set include:

- 2 pcs M8 U-bolt, 8 pcs M8 hex nut
- 8 pcs M6x30 bolt, 16 pcs M6 hex nut, 8 pcs 6/12 washer
- 1 pcs extension plate

Extension plate marine grade anodised aluminium, other parts AISI316 acid-proof stainless steel.

More detailed mechanical data: see MS-DEV60 datasheet.



Order Code: MS-DEV60

CEL MS-DEV100:

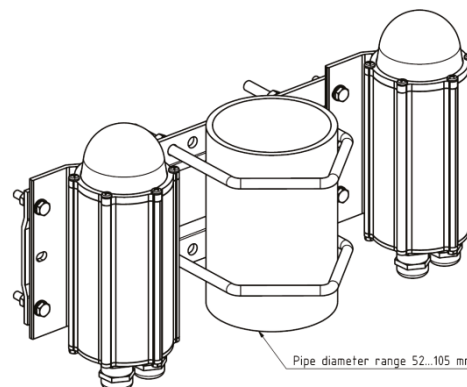
Double mounting set with extension plate for 60-100 mm vertical pipe installation

Mounting set include:

- 2 pcs M8 U-bolt, 8 pcs M8 hex nut
- 8 pcs M6x30 bolt, 16 pcs M6 hex nut, 8 pcs 6/12 washer
- 1 pcs extension plate

Extension plate marine grade anodised aluminium, other parts AISI316 acid-proof stainless steel.

More detailed mechanical data: MS-DEV100 datasheet.



Order Code: MS-DEV100

ICAO Low-intensity Type A Obstruction Light (10cd) with infrared

ICAO Low-intensity Type B Obstruction Light (32cd) with infrared

Low-Intensity Infrared - LED Aircraft Warning Light

CEL MS-RW

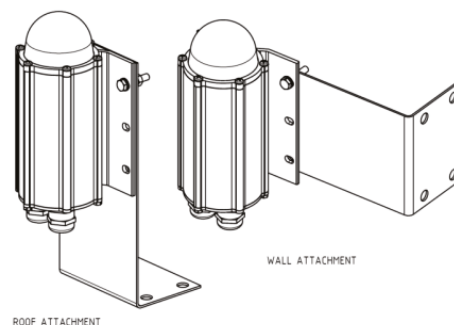
Mounting set for horizontal plate or wall installation.

Mounting set includes:

- 4 pcs M6x30 bolt, 8 pcs M6 hex nut, 4 pcs 6/12 washer
- 1 pcs L-shape 2 mm plate

All parts AISI 316 acid-proof stainless steel.

More detailed mechanical data: see MS-RW datasheet



Order Code: MS-RW

CEL MS-LVU

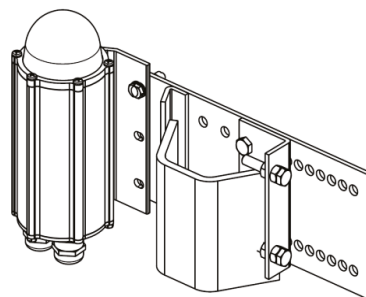
Mounting set for L and V-shape profiles

Mounting set includes:

- 1 set accessories for light unit fitting to plate
- 1 pcs extension plate with adjusting plate and accessories

Extension plate hot dip galvanized steel, other parts AISI316 acid-proof stainless steel.

More detailed mechanical data: see MS-LVU datasheet

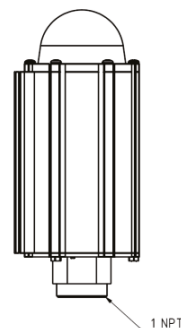


Order Code: MS-LVU
(with galvanized extension plate)
Order Code: MS-LVA
(with AISI316 extension plate)

CEL MS-N1B :

Mounting set for 1" NPT at bottom

More detailed mechanical dimensions: see MS-N1B datasheet.



Order Code: MS-N1B

ICAO Low-intensity Type A Obstruction Light (10cd) with infrared

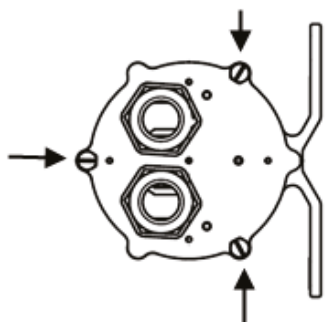
ICAO Low-intensity Type B Obstruction Light (32cd) with infrared

Low-Intensity Infrared - LED Aircraft Warning Light

CONFIGURING CEL LI-xx+IR-xxx-PCFL

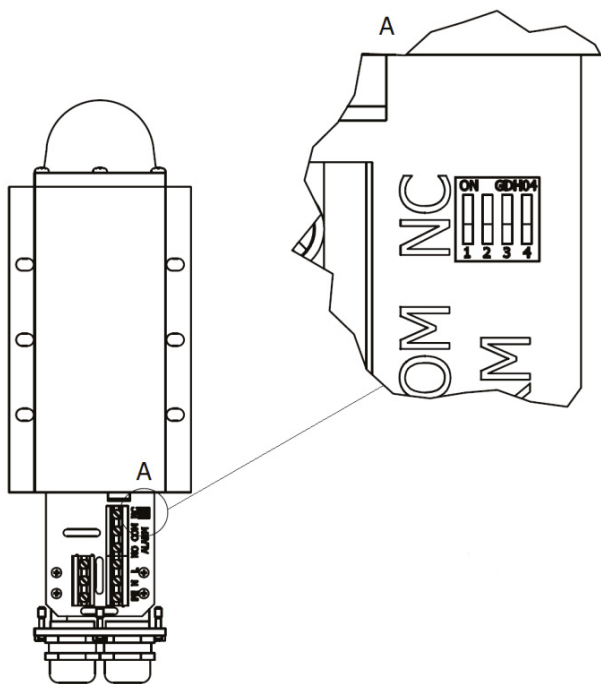
On -PCFL models (built-in photocell and flasher installed), photocell mode (enabled/disabled) and threshold (400 lux, 800 lux or 1600 lux) can be selected by the user using DIP configuration switches.

Open three screws on the bottom of CEL LI-10+IR-xxx-PCFL or LI- 32+IR-xxx-PCFL to gain access to DIP switches. We recommend using a socket wrench but the screws can also be opened with a suitable flat-head screwdriver.



Bottom plate screws

Holding the aviation obstruction light glass dome pointing upwards, the individual DIP switches are numbered 1-4 from left to right (see illustration).



Location of DIP switches on the CEL LI-10+IR and LI-32+IR

Factory default setting is all switches in OFF (steady-burning mode without photocell control).

1	2	Operating mode
OFF	OFF	Photocell disabled
ON	OFF	400 lx
OFF	ON	800 lx
ON	ON	1600 lx

Turn-off time in 3 min, turn-on time is 10 sec. When the photocell operation is enabled, the obstacle light turns on when the ambient light level has dropped below selected level for ten seconds. Light turns off when the ambient light level has exceeded the selected value for more than three minutes.

3	4	Operating mode
OFF	OFF	Steady-burning i.e. fixed
ON	OFF	20 flashes per minute
OFF	ON	40 flashes per minute
ON	ON	60 flashes per minute

When the desired configuration is set using the DIP switches, please slide the internal electronics board back to the chassis and tighten three screws on the bottom plate.

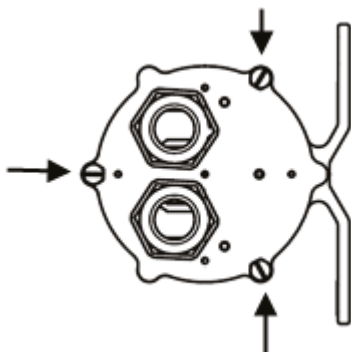
ICAO Low-intensity Type A Obstruction Light (10cd) with infrared

ICAO Low-intensity Type B Obstruction Light (32cd) with infrared

Low-Intensity Infrared - LED Aircraft Warning Light

WIRING

Open three screws on the bottom of this aviation obstacle light to gain access to DIP switches. We recommend using a socket wrench but the screws can also be opened with a suitable flat-head screwdriver.



Bottom plate screws

Connect the power supply cable to the connector block. Connectors with same markings on the other side can be used to daisy-chain these obstacle lights.

Models with -ACW are designed for AC mains power supply and models with -DCW for DC power supply. Allowed operating voltage range is presented in the technical specifications.

Power supply connector markings on -ACW models	
Marking	Description
PE	Protective Earth
N	Neutral
L	Live

Power supply connector markings on -DCW models	
Marking	Description
PE	Protective Earth
-	Negative supply voltage
+	Positive supply voltage

(Optionally; on -PCFL models) Connect the alarm relay.

Alarm relay	
Marking	Description
NO	Normally open
COM	Common
NC	Normally closed

Alarm is also signaled when the obstacle light is without power supply. When the power supply is present, the alarm relay is controlled by the on-board microprocessor.

Slide the internal electronics board back to the chassis and tighten three screws on the bottom plate.