



27 Jan 2016

# Light Head Controller, Power Supply and Fault Alarm Unit for CEL MI- and HI- light series

CEL L-series LHC 700

## Key features

- Suitable for up to 4no. CEL MI-lights or 2no. CEL HI-lights
- Constant power consumption with active PFC
- Light head monitoring and alarm generation
- Internal photocell for day/night mode changes
- Multiple LHCs synchronisations
- LCD display and keypad for easy configuration
- Ethernet communication for large systems
- Low maintenance costs
- 5 years warranty

## Electrical characteristics

- Operating voltage variations:
  - 48 V<sub>DC</sub> (36.. 75 )
  - 100 V<sub>AC</sub> (85.. 115V<sub>AC</sub>)
  - 115 V<sub>AC</sub> (98..132V<sub>AC</sub>)
  - 200 V<sub>AC</sub> (170...230V<sub>AC</sub>)
  - 230 V<sub>AC</sub> (207... 253V<sub>AC</sub>)
- 2 x 350W output power
- Constant power input, same peak and average power consumption
- Overvoltage protection
- Operating temperature range -55°C to +55°C
- Flash rate: 20, 40 and 60fpm
- Flash duration: 100, 150 and 200ms
- Two Ethernet ports, built-in Ethernet switch

## Mechanical characteristics

- Enclosure stainless steel AISI304
- Ingress protection IP65
- Cable glands: 7 x M25, 7 x M16
- Wind load less than 1200N @ 200km/h
- Dimensions: 970 x 450 x 200mm (L x W x D)
- Weight: 45kg

## Alarm relay characteristics

- Potential free DPCO monostable (NC, NO, COM)
- Contact voltage AC max 125V
- Contact voltage DC max 30V
- Contact current max 1A
- Contact resistance max 0.15ohm

## Available options

- GPS flash synchronisation
- GSM control and fault reporting
- External photocell
- Fibre optic communication
- Control panel for large system controlling and monitoring

Made in EU

Page 1 of 6



Picture for reference only

## CEL-LHC-115-700 without mounting set

### Order codes:

CEL-LHC-048-700 for 48 V<sub>DC</sub> system  
CEL-LHC-100-700 for 100 V<sub>AC</sub> system  
CEL-LHC-115-700 for 115 V<sub>AC</sub> system  
CEL-LHC-200-700 for 200 V<sub>AC</sub> system  
CEL-LHC-230-700 for 230 V<sub>AC</sub> system

T: +44 (0)20 8540 1034  
F: +44 (0)20 8543 3058  
E: info@contarnex.com

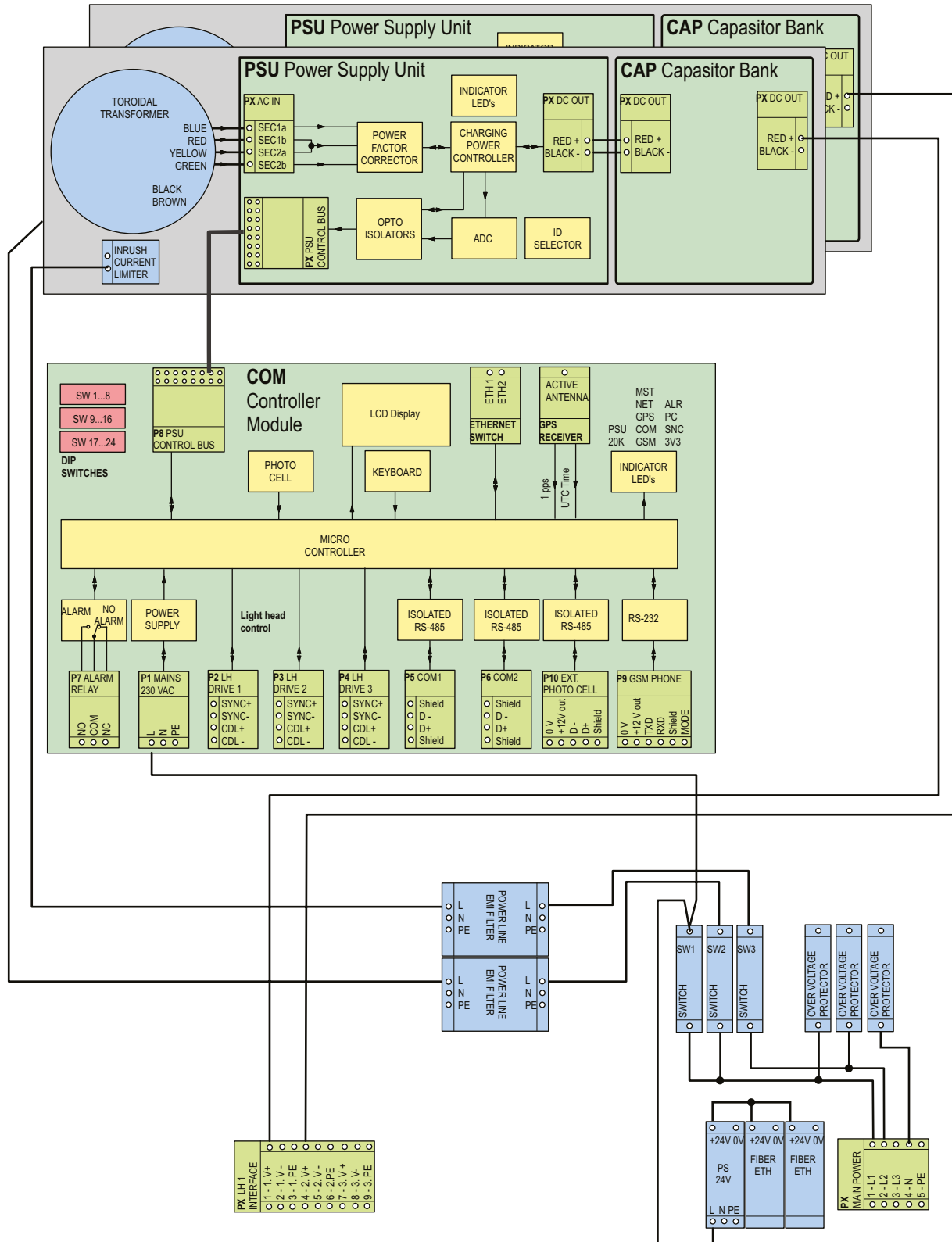
Contarnex Europe Limited  
252 Martin Way,  
Morden, Surrey SM4 4AW  
United Kingdom



# Light Head Controller, Power Supply and Fault Alarm Unit for CEL MI- and HI- light series

CEL L-series LHC 700

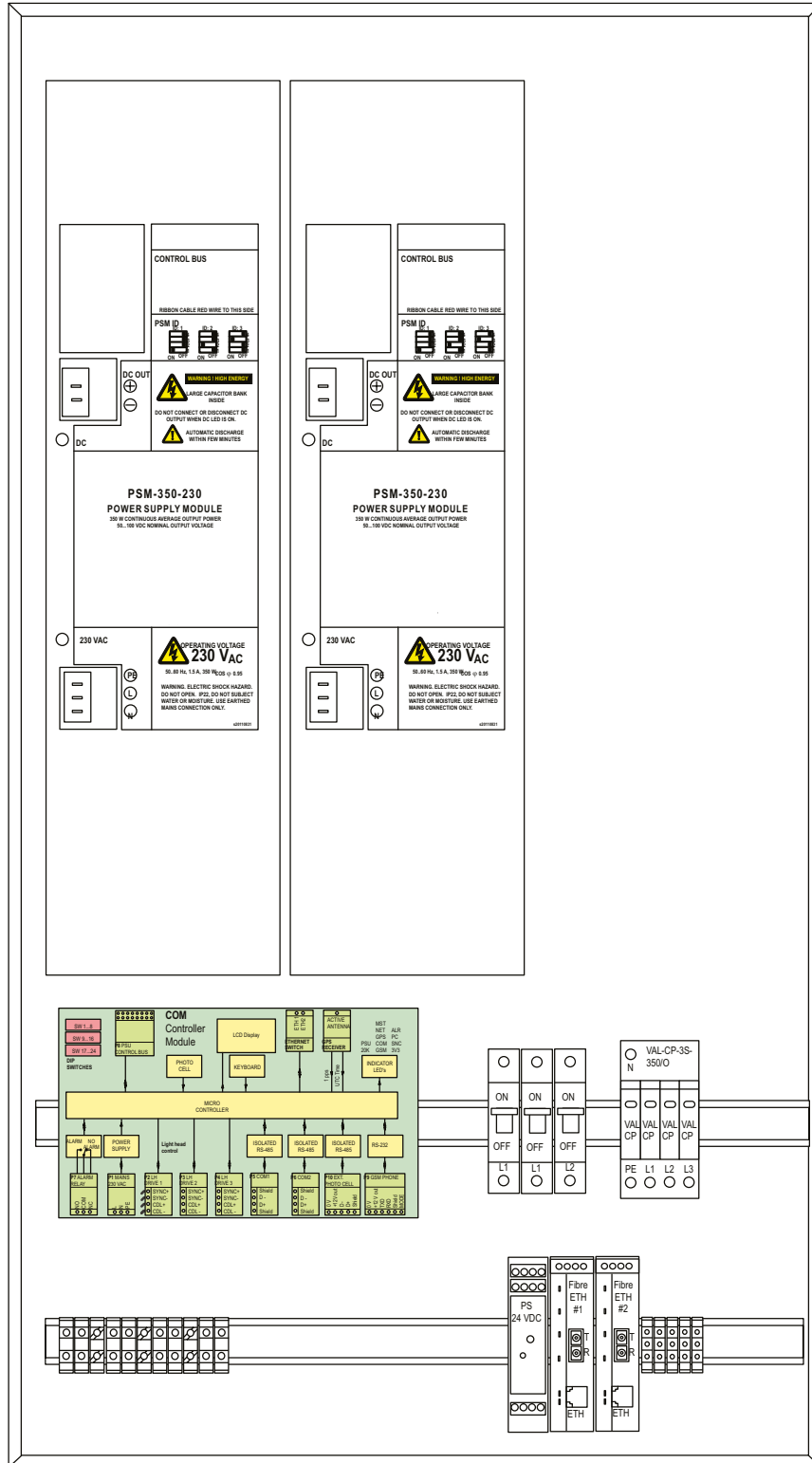
## SIMPLIFIED WIRING DIAGRAM



# Light Head Controller, Power Supply and Fault Alarm Unit for CEL MI- and HI- light series

## CEL L-series LHC 700

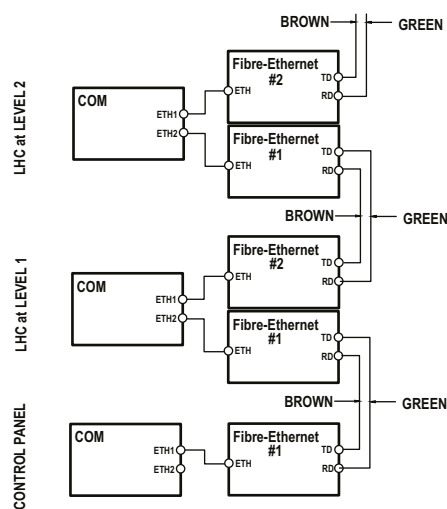
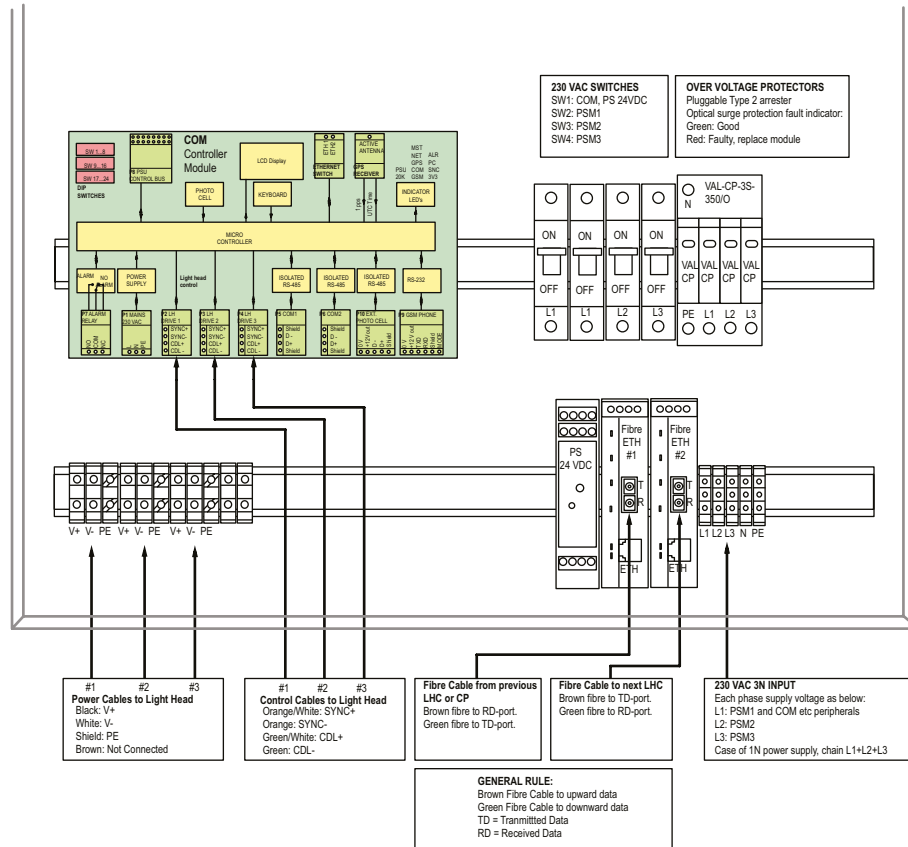
### LHC CABINET LAYOUT



# Light Head Controller, Power Supply and Fault Alarm Unit for CEL MI- and HI- light series

## CEL L-series LHC 700

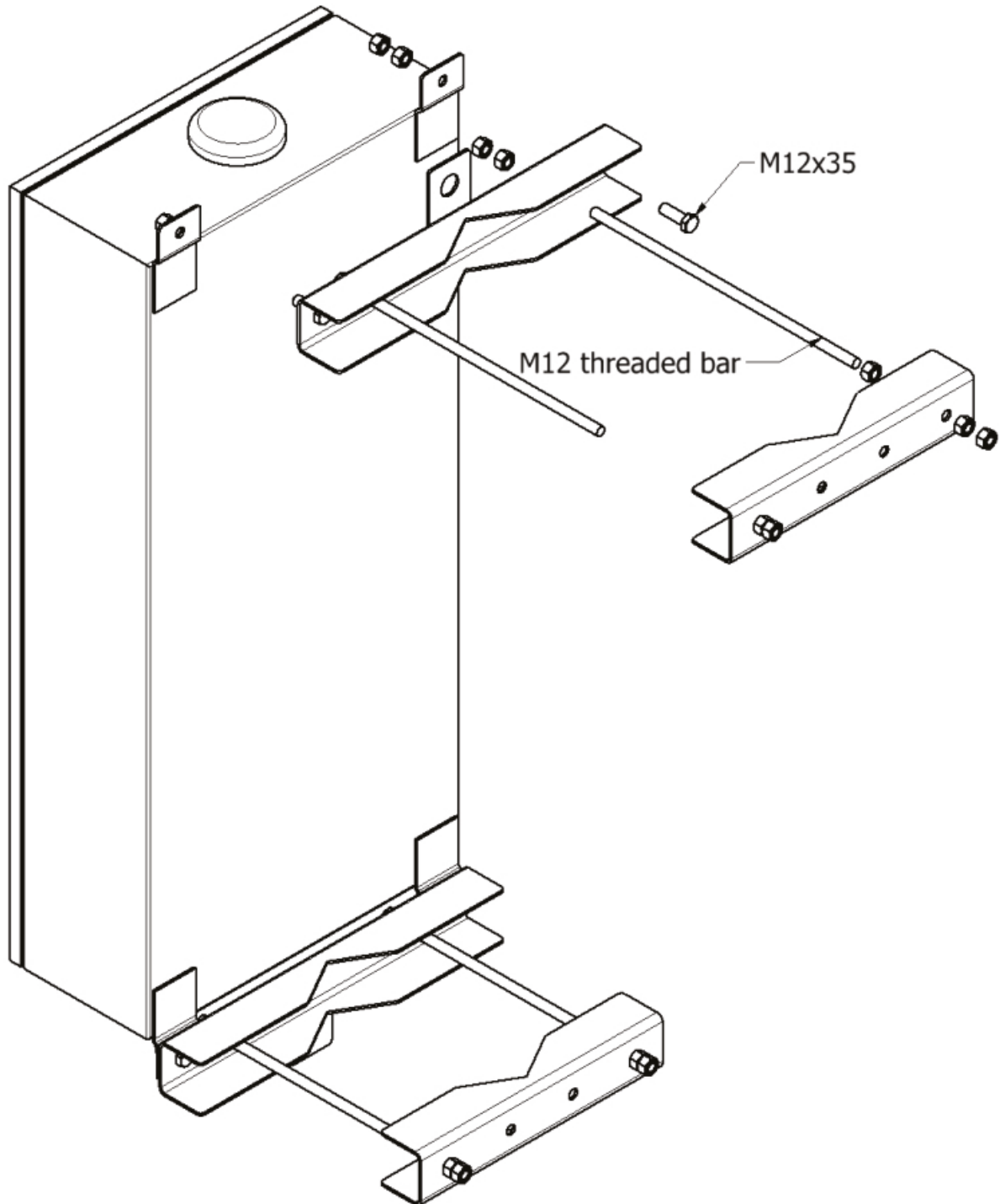
### CONNECTIONS



# Light Head Controller, Power Supply and Fault Alarm Unit for CEL MI- and HI- light series

CEL L-series LHC 700

## MOUNTING SET



# Light Head Controller, Power Supply and Fault Alarm Unit for CEL MI- and HI- light series

CEL L-series LHC 700

## MECHANICAL DIMENSIONS

